

# MOTOMAN GP180

Handling & General Applications  
with the GP-series



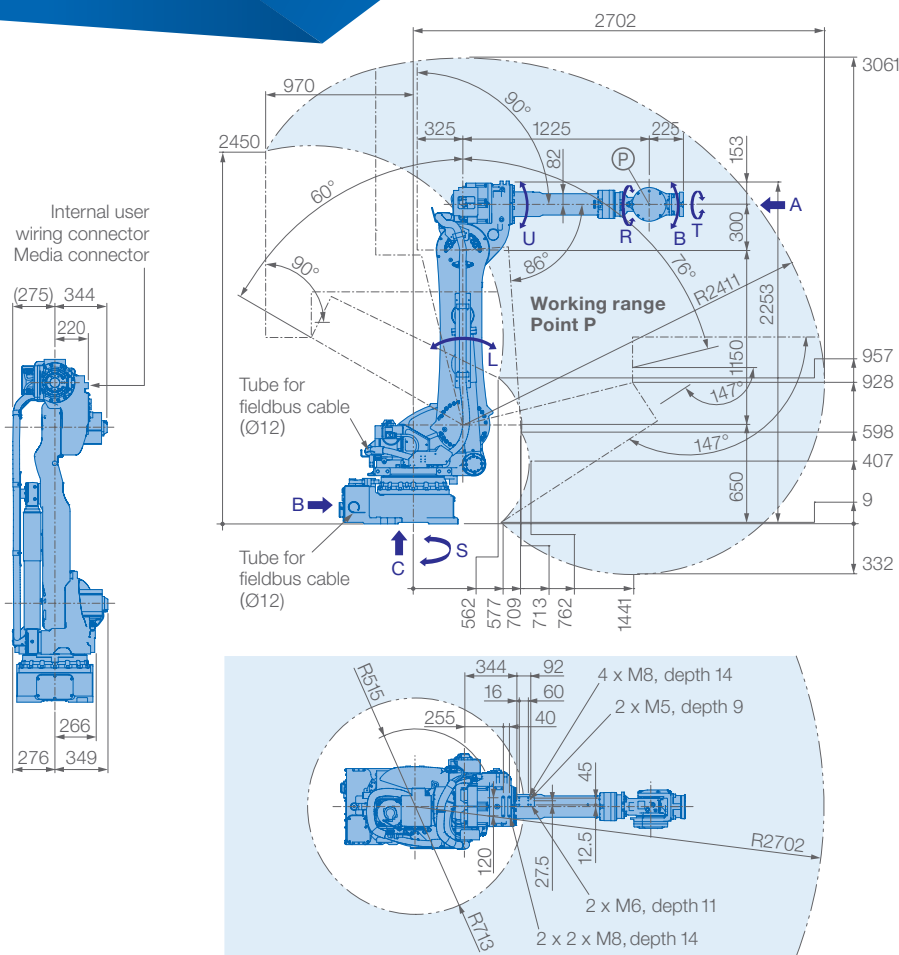
The 6-axis MOTOMAN GP180 is a versatile, high speed robot offering superior performance for a variety of applications, like material handling, machine and press tending.

Despite of providing a high payload of 180 kg and the wide motion range of 2702 mm, the MOTOMAN GP180 was designed with a width of 625 mm, therefore valuable floor space can be saved.

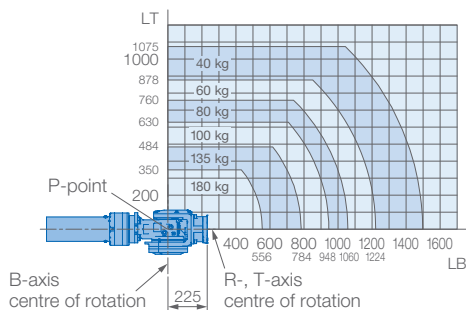
With the higher axis operation speed and speed reducer rigidity, a special vibration control system was developed. By reducing cycle times, this system realises high increases in productivity.

## KEY BENEFITS

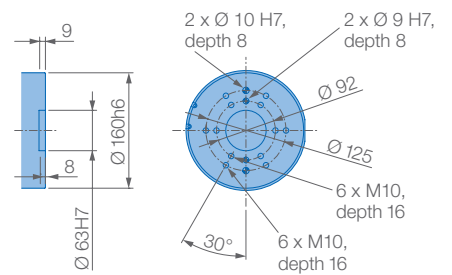
- Fast, flexible and powerful
- High payload: 180 kg
- Wide motion range: 2702 mm
- Maximum performance using minimal floor space



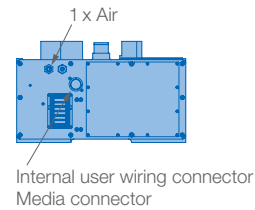
**Allowable wrist load**



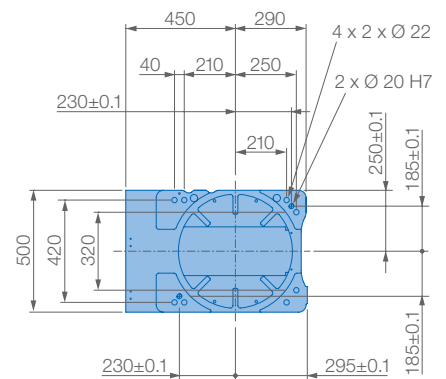
**View A**



**View B**



**View C**



Mounting option: Floor

Protection class version YR-1-06VX180-A00  
Standard: Main axes (S, L, U) IP54, wrist IP67

Protection class version YR-1-06VX180-C00:  
Main axes (S, L, U) IP65, wrist IP67

Specifications GP180						
Axes	Maximum motion range [°]	Maximum speed [°/sec.]	Allowable moment [Nm]	Allowable moment of inertia [kg · m <sup>2</sup> ]	Controlled axes	6
S	±180	125	-	-	Max. payload [kg]	180
L	+76/-60	115	-	-	Repeatability [mm]	±0.05
U	+90/-86	125	-	-	Max. working range R [mm]	2702
R	±360	182	1000	90	Temperature [°C]	0 to +45
B	±130	175	1000	90	Humidity [%]	20 - 80
T	±360	265	618	46.3	Weight [kg]	1020
					Power supply, average [KVA]	5.0

**Yaskawa Europe GmbH**

Robotics Division  
Yaskawastraße 1  
85391 Allershausen  
Germany

Tel. +49 (0) 8166 90-0  
robotics@yaskawa.eu.com  
www.yaskawa.eu.com

YR-1-06VX180-A00, YR-1-06VX180-C00  
C-10-2020, A-No. 195940