

YASKAWA

MOTOMAN CSDA10F

Flexible Lab Automation



ADVANTAGES OF FLEXIBLE LABORATORY AUTOMATION

- Work with standard laboratory equipment, no need of expensive laboratory instruments
- Use of high-quality analytical instruments around the clock
- Preparation of samples with any required level of complexity
- Reliable in environments that are hazardous to health
- Achieve consistently outstanding work results
- Remembering and repeating of tricks of experienced laboratory specialists
- Fast programming of new tasks and work sequences



MOTOMAN CSDA10F – new dual arm robot for handling and biomedical uses

YASKAWA's dual arm CSDA10F MOTOMAN robot extends the robot range beyond handling applications to independent performance of work sequences. The CSDA10F offers high performance and unique characteristics in cleanrooms. Greater automation improves precision and accuracy of operations in pharmaceutical applications, clinical diagnosis and new medicine research and development.

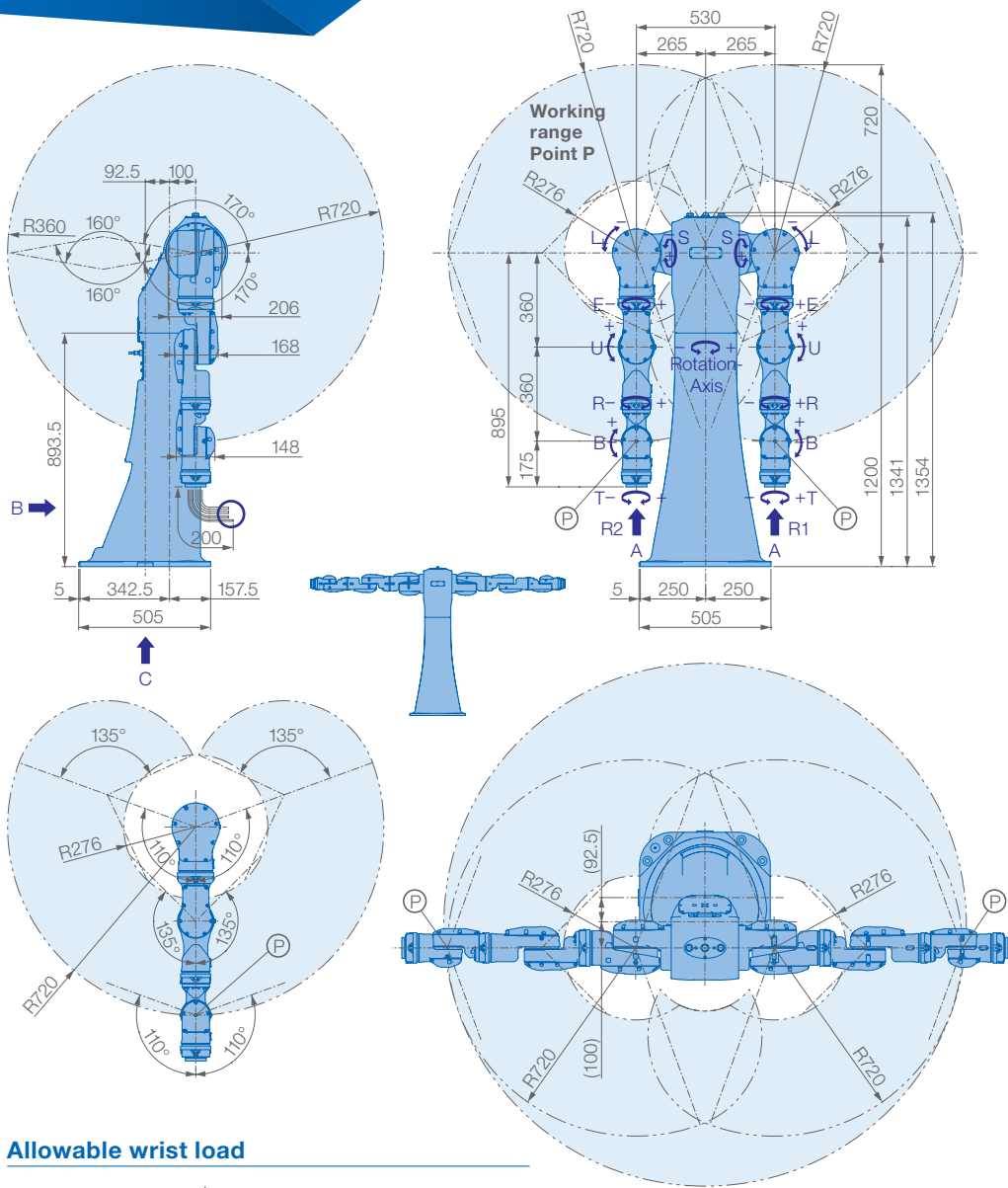
“Lean” Lab Automation without expensive system technology

The MOTOMAN CSDA10F can handle any existing conventional laboratory equipment. It executes protocols and work steps precisely as they were designed for manual laboratory tasks. Dedicated automation equipment, e.g. liquid handling systems, is not required. This allows simple and highly flexible automation concepts without the need to invest in expensive system technology. No matter how varied the work sequences or how often they have to be refined or modified: You can teach the robot your new ideas very quickly.

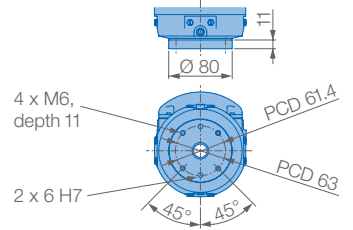
Functionality and performance characteristics

- **Human-like dual arm robot-system**
 - 15 servo-controlled rotation axes (7 per arm and 1 monumental axis)
 - Max. payload of 10 kg per arm
 - Arm length 895 mm (From shoulder joint to flange)
 - Industrial robot controller FS100
 - Easy programming of new tasks and work sequences
- **Designed for excellent hygiene management**
 - Special coating and surface treatment of the robot enables cleaning with hydrogen peroxide
 - Sealed structure to protect robot arms (IP64) and base axis (IP50)
 - Conforms to ISO 14644-1, Cleanroom class 6, (Low particle emission)
- **Full built-in wiring harnesses and air lines**
 - Desired movements with no peripheral interference
 - Can reach into narrow spaces

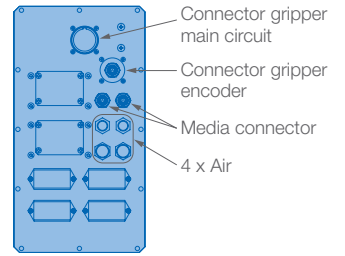




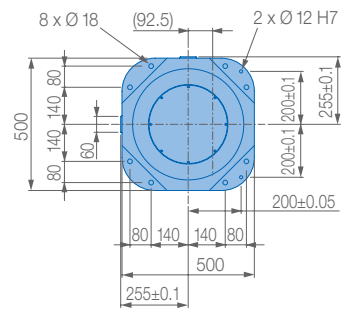
View A (Flange)



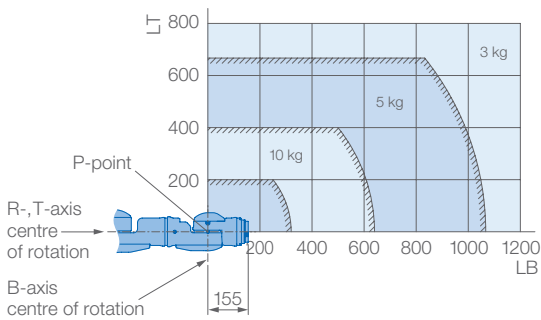
View B (Media connection)



View C (Ground mounting)



Allowable wrist load



Mounting option: Floor



Specifications CSDA10F

Axes	Maximum motion range [°]	Maximum speed [°/sec.]	Allowable moment [Nm]	Allowable moment of inertia [kg · m ²]		
Rotation	±170	130	-	-	Controlled axes	15
S	±170	170	-	-	Max. payload [kg]	10
L	±110	170	-	-	Repeatability [mm]	±0.1
Θ	±170	170	-	-	Max. working range R [mm]	720 / 720
U	±135	170	-	-	Temperature [°C]	0 to +40
R	±180	200	31.4	1.0	Humidity [%]	20 – 80
B	±110	200	31.4	1.0	Weight [kg]	220
T	±180	400	19.6	0.4	Power supply, average [KVA]	2.0

YASKAWA Headquarters

YASKAWA Europe GmbH
Robotics Division
Yaskawastraße 1
85391 Allershausen, Germany
Tel. +49 (0) 8166/90-0
Fax +49 (0) 8166/90-103

YASKAWA ACADEMY and sales office Frankfurt

YASKAWA Europe GmbH
Robotics Division
Hauptstraße 185
65760 Eschborn, Germany
Tel. +49 (0) 6196/77725-0
Fax +49 (0) 6196/77725-39

YASKAWA GROUP

AT YASKAWA Austria
Schwechat/Wien
+43(0)1-707-9324-15

CZ YASKAWA Czech s.r.o.
Rudná u Prahy
+420-257-941-718

ES YASKAWA Ibérica, S.L.
Gavà/Barcelona
+34-93-6303478

FR YASKAWA France SARL
Saint-Aignan-de-Grand-Lieu
+33-2-40131919

FI YASKAWA Finland Oy
Turku +358-(0)-403000600

GB YASKAWA UK Ltd.
Banbury +44-1295-272755

IT YASKAWA Italia s.r.l.
Torino +39-011-9005833

IL YASKAWA Europe Technology Ltd.
Rosh Ha'ayin +972-3-9004114

NL YASKAWA Benelux B.V.
Son +31-40-2895500

PL YASKAWA Polska Sp. z o.o.
Wrocław +48-71-7928670

RU YASKAWA Nordic AB
Moskva +46-480-417-800

SE YASKAWA Nordic AB
Torsås +46-480-417-800

SI YASKAWA Slovenia
Ribnica +386-1-8372-410

TR YASKAWA Turkey Elektrik
Ticaret Ltd. Sti.
İstanbul +90-216-5273450

ZA YASKAWA Southern Africa (PTY) Ltd
Johannesburg +27-11-6083182

DISTRIBUTORS

BG ARAMET ROBOTICS Ltd.
Yambol +359-885 317 294
Kammarton Bulgaria Ltd.
Sofia +359-02-926-6060

CH Messer Eutectic Castolin
Switzerland S.A.
Dällikon +41-44-847-17-17

DK Robotcenter Danmark
Løsning +45 7022 2477

EE RKR Seadmed OÜ
Tallinn/Estonia +372-68-35-235

GR Gizelis Robotics
Nea Kifissia +30-2106251455

HU Flexman Robotics Kft
Budapest +36-30-9510065

LT Profibus UAB
Panevezys +370-45-518575

NO Skala Robotech AS
Lierstranda +47-32240600

PT ROBOPLAN Lda
Aveiro +351-234 943 900

RO Sam Robotics srl
Timisoara +40-720-279-866
MPL Automation S.R.L.
Satu Mare +40 (0) 261 750 741

